

**Direct current electronic drivers**  
**Alimentatori elettronici in corrente continua**

constant  
**VOLTAGE**

**RIPPLE  
FREE**

KEMA 110 M M F SELV 60V



DC 30W VPS LP



DC 75W VPS LP

ACTIVE PFC 1-2kV DIFF. 2kV COMM. SAFETY PROTECTIONS

**Rated Voltage**  
**Tensione Nominale**  
100 ÷ 240 V <sup>(2)</sup>  
200 ÷ 240 V <sup>(3)</sup>

**Frequency**  
**Frequenza**  
50/60 Hz <sup>(2)</sup>  
50 Hz <sup>(3)</sup>

**AC Operation range**  
**Tensione di utilizzo AC**  
90 ÷ 264 V <sup>(2)</sup>  
180 ÷ 264 V <sup>(3)</sup>

**Power**  
**Potenza**  
0 ÷ 75 W

**Maximum current output ripple**  
**Max. ondulazione della corrente uscita**  
≤ 3% <sup>(1)</sup>

**Reference Norms**  
**Norme di riferimento:**  
EN 55015  
EN 62493  
EN 61000-3-3  
EN 61347-1  
EN 61347-2-13  
EN 61547  
IEC 62384

**Max. pcs for CB B16A**  
(see page info17)  
VPS 30W: 30 pcs  
VPS 50W: 20 pcs  
VPS 75W: 15 pcs

**In rush current**  
VPS 30W: 70A 400μsec  
VPS 50W: 80A 400μsec  
VPS 75W: 80A 400μsec

Article Articolino	Code Codice	P out W	V out DC	I out DC	ta °C	tc °C	λ max. Power Factor	η max. Efficiency <sup>(1)</sup>
DC 30W 12V VPS LP <sup>(3)</sup>	127900	30	12	2,5 A max.	-20...+45	80	0,96 <sup>(1)</sup>	> 85
DC 30W 24V VPS LP <sup>(3)</sup>	127901	30	24	1,25 A max.	-20...+45	80	0,96 <sup>(1)</sup>	> 87
DC 50W 12V VPS LP <sup>(2)</sup>	127902	50	12	4,17 A max.	-20...+45	80	0,90 <sup>(4)</sup>	> 86
DC 50W 24V VPS LP <sup>(2)</sup>	127903	50	24	2,08 A max.	-20...+45	80	0,90 <sup>(4)</sup>	> 88
DC 75W 12V VPS LP <sup>(2)</sup>	127904	75	12	6,25 A max.	-20...+45	80	0,90 <sup>(4)</sup>	> 87
DC 75W 24V VPS LP <sup>(2)</sup>	127905	75	24	3,125 A max.	-20...+45	80	0,90 <sup>(4)</sup>	> 89

<sup>(1)</sup> Referred to V<sub>in</sub> = 230 V, 100% load - Riferito a V<sub>in</sub> = 230 V, carico 100%  
<sup>(4)</sup> Referred to V<sub>in</sub> = 230 V, 100% load - Riferito a V<sub>in</sub> = 230 V, carico 100%  
λ > 0,95 @ Vin = 100 V

Accessories not supplied - Accessori non a corredo	
Article - Articolino	Code - Codice
Dimmer SED 4.5A R57 (7.)	120300



**Features**

- AC/DC electronic driver with output in voltage, specific for installations in compliance with the standards of lighting applications.
- IP20 independent driver, for indoor use.
- Class II protection against electric shock for direct or indirect contact.
- Input and output terminal blocks on opposite sides.
- Single terminal block on primary and secondary (wire cross-section up to 0,5 - 0,75 mm<sup>2</sup> / AWG20 - AWG18).
- Driver can be secured with slot for screws.
- Protections:
  - against overheating and short circuits;
  - against mains voltage spikes;
  - against overloads.

**Caratteristiche**

- Alimentatore elettronico tipo AC/DC con uscita in tensione specifico per installazioni con Norme settore illuminazione.
- Alimentatore indipendente IP20, per uso interno.
- Protetto in classe II contro le scosse elettriche per contatti diretti e indiretti.
- Morsetti di entrata e uscita contrapposti.
- Singola morsettiera su primario e secondario (sezione cavo fino a 0,5 - 2,5 mm<sup>2</sup> / AWG20 - AWG18).
- Fissaggio dell'alimentatore tramite asole per viti.
- Protezioni:
  - termica e cortocircuito;
  - contro le extra-tensioni di rete;
  - contro i sovraccarichi.

**5.1.1**

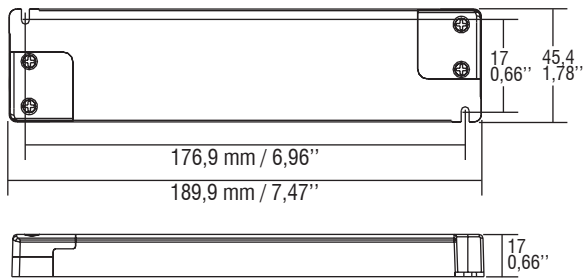
Constant voltage drivers - Compact case - Switchable  
Alimentatori a tensione costante - Formato compatto - Non regolabili

# VPS LP - LOW PROFILE

## Direct current electronic drivers Alimentatori elettronici in corrente continua

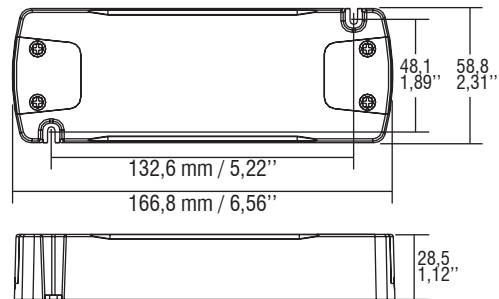
**IP 20** **SCREW FIXING**  $\varnothing 50$  1.97" Weight - Peso gr. / oz.  
Pcs - Pezzi 1

DC 30W VPS LP



**IP 20** **SCREW FIXING**  $\varnothing 66$  2.6" Weight - Peso gr. 305 / oz.  
Pcs - Pezzi 1

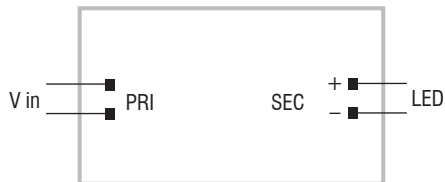
DC 50W VPS LP



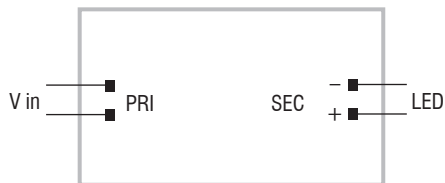
### Wiring diagrams - Schemi di collegamento

(Max. LED distance at page info8 - Massima distanza LED a pagina info8)

DC 30W VPS LP

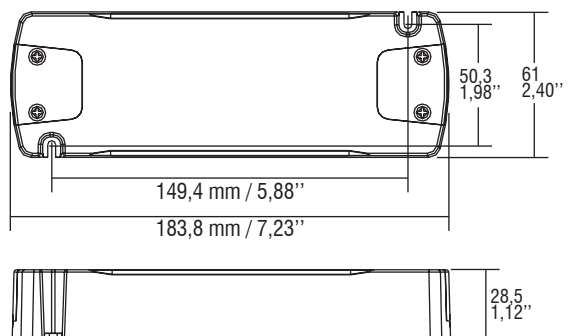


DC 50W VPS LP - DC 75W VPS LP



**IP 20** **SCREW FIXING**  $\varnothing 68$  2.7" Weight - Peso gr. 300 / oz.  
Pcs - Pezzi 1

DC 75W VPS LP



**5.1.1**

Constant voltage drivers - Compact case - Switchable  
Alimentatori a tensione costante - Formato compatto - Non regolabili